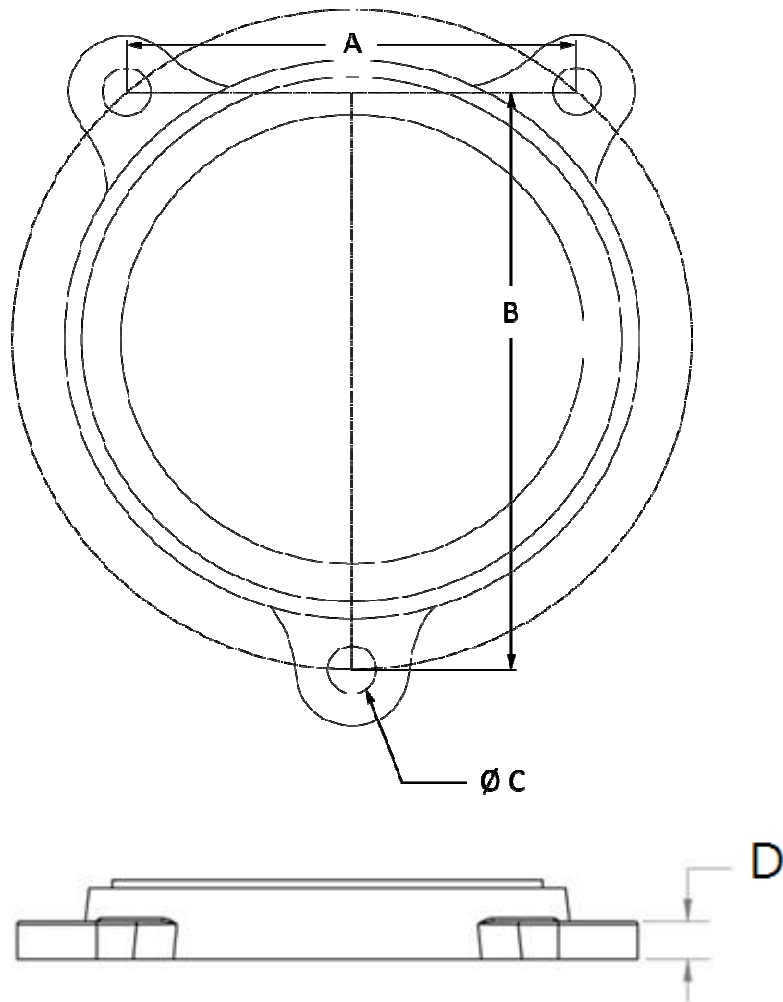


Parallel steel bench vise

Size reference



Art.	Size	A (inch)	B (inch)	Ø C (inch)	D (inch)
2961	4"	3.88	5.52	0.50	4.50
2962	5"	5.06	6.35	0.56	4.50
2963	6"	5.22	7.26	0.56	4.90
2964	8"	5.81	7.70	0.63	4.50

≡

Art.	Size	A (mm)	B (mm)	Ø C (mm)	D (mm)
2961	4"	98.55	140.21	12.70	11.50
2962	5"	128.52	161.29	14.22	11.50
2963	6"	132.59	184.40	14.22	12.50
2964	8"	147.57	195.58	16.00	11.50

